

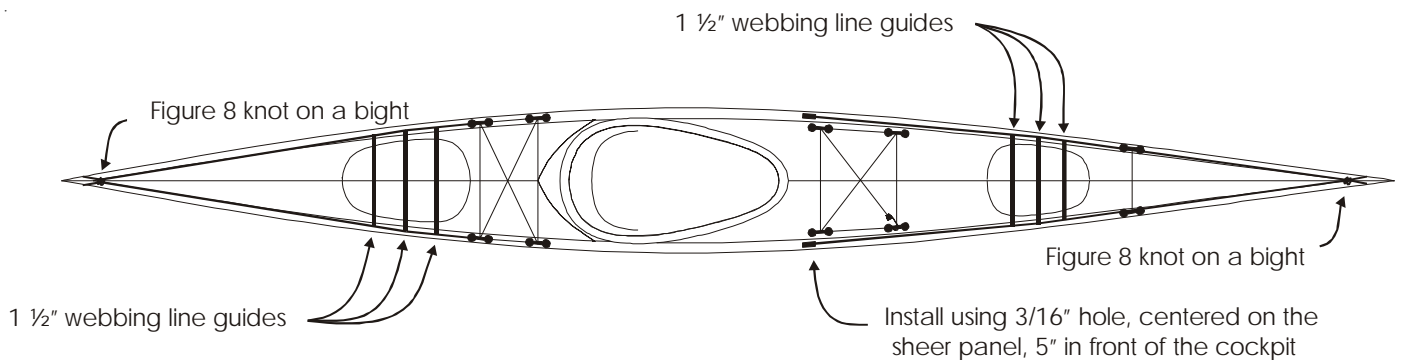
# Perimeter Lines

## Tools and Material Required

- \_\_ Scissors to cut pad eye webbing and line
- \_\_ Drill with a 3/16" drill bit
- \_\_ Soldering iron
- \_\_ Lighter or matches (to seal cut ends of webbing and line)
- \_\_ Screwdriver and pliers

## Packing List

- \_\_ 6" of nylon webbing
- \_\_ 40' 6mm nylon line
- \_\_ 2 - 10-32x3/4 ss screws
- \_\_ 2 - 10-32 nylock nuts
- \_\_ 2 - #10 fabric washers
- \_\_ Set of Stern hatch webbing (if you are installing perimeter line on a boat that already has a hatch kit installed, and the webbing has been trimmed to a shorter length you will need to purchase a set of six for your bow hatch.)



To add a perimeter line to your boat as shown in the diagram, you will first need to create and install two soft pad eyes and line guides made from your hatch straps.

To make the soft pad eyes, cut two 3" lengths of webbing. Use a lighter to seal the cut ends of webbing; this will prevent the ends from fraying. Fold the webbing pieces in half, then with the heated tip of your soldering iron, make a hole, 3/8" in from both ends of the webbing. If you don't own a soldering iron, you can heat a nail in a pair of vise grips and use it to burn the hole.



To install the soft pad eyes onto the deck sheer panel, drill a 3/16" hole in the center of the sheer panel, about 5" forward from the front edge of your cockpit opening. This should put the soft pad eye in line with the nylon pad eyes nearest the cockpit opening on your bow deck rigging. Seal the plywood edge of the hole with epoxy and let cure. Then bolt the webbing loop onto the boat.

To create the line guide loops on your hatch straps, fold the end of your hatch straps with the pre-made hole over so that you have a 1 1/2" diameter loop. Then, using the existing hole as a guide, use the soldering iron to create an additional hole through the webbing. Install the hatch straps back onto the boat per the instructions included with your bulkhead and hatch kit, except this time you will bolt through both holes in the folded end of the straps, so that you are left with a loop on the end of the strap. This will act as your perimeter line guide. It is possible that your stern straps will not be long enough. If that is the case, use the longer ones provided with this kit.



To install the perimeter lines, first determine the length for the bow end of the boat. Add 4 feet for the knots needed to secure the line. Cut the



amount needed. Seal the cut end of line using your lighter.

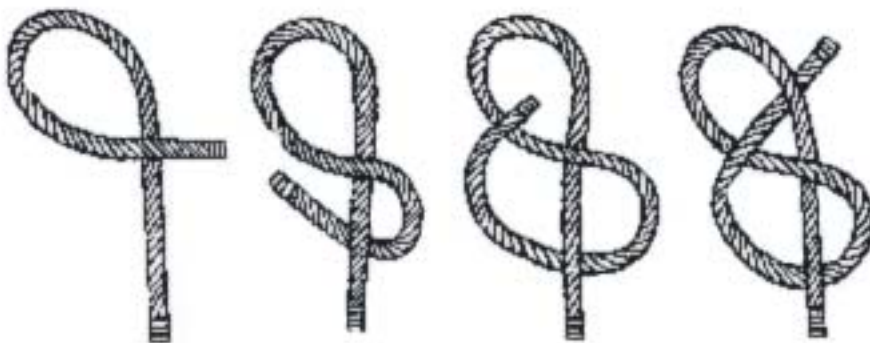
Run the line through the toggle hole in the bow end of

your boat. Making sure that the ends of the line are even with each other, tie a figure 8 knot on a bight in the line, so that

there is a loop at the end of the perimeter where it exits the toggle hole. Run the line along the sheer panel on either side of the boat,

through the guide loops in the hatch strap ends, and then tie off to the soft pad eye installed on the sheer panel with a re woven figure eight.

The stern perimeter line is installed in the same way as the bow line, except it is tied off to the nylon pad eyes at the aft end of your stern deck rigging assembly.



The above diagram shows the figure eight knot. To create a re woven figure eight, pass the working end through the toggle hole or soft pad eye and then reverse the direction of the line.